



Cake Size Guide

www.ohthatbegood.com

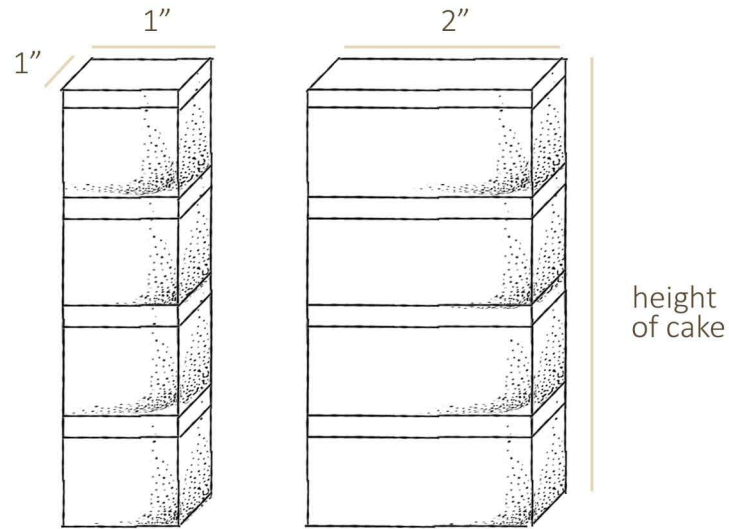




This visual guide is designed to help you decide on the right sized cake for your occasion. If you don't find what you are looking for, then please get in touch to personalise your request. Together, let's bring your vision to life and have you thinking "Oh! That Be Good!"



Serving Size Guide



Generally cakes are cut to serve either dessert or coffee sized pieces. This affects the size of cake that you should order. It is recommended that you factor in the nature of your occasion, type of people attending (children vs adults) and the presence of other sweet treats to decide which serving size works best for you.

Round Cakes

Width	Dessert Serves 2" x 1" x cake height	Coffee Serves 1" x 1" x cake height
6 inch (15cm)	12	24
8 inch (20cm)	25	50
10 inch (25cm)	40	80
12 inch (30cm)	50	100

Square Cakes

Width	Dessert Serves 2" x 1" x cake height	Coffee Serves 1" x 1" x cake height
6 inch (15cm)	18	36
8 inch (20cm)	32	64
10 inch (25cm)	50	100
12 inch (30cm)	72	144

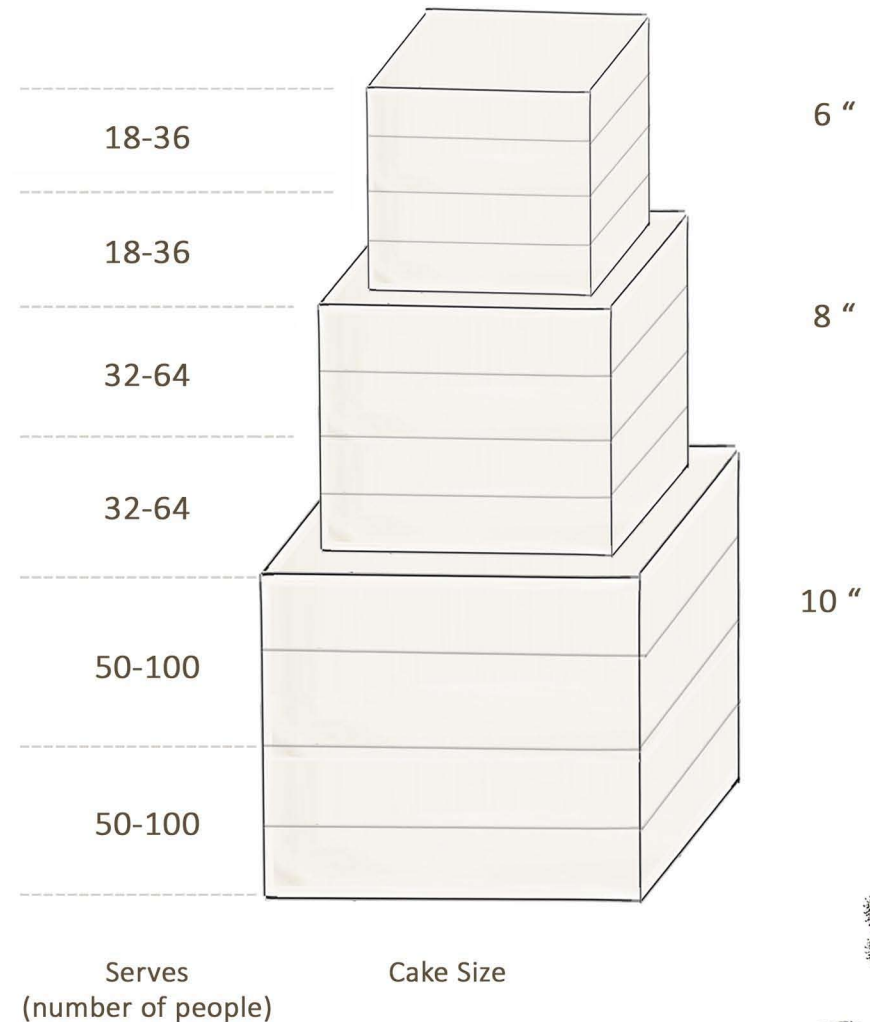
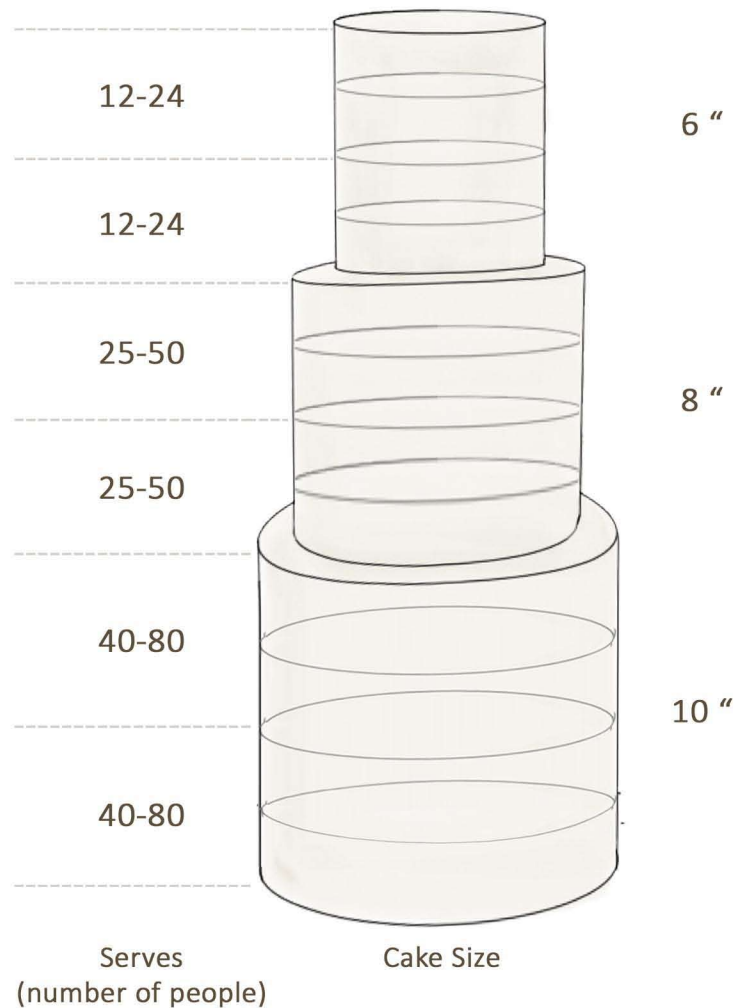
Serving size generally followed in Australia.

Cake Sizing Options

All Oh That Be Good cakes are carefully crafted to your vision, and costed to order. The final price is dependent on size of cake, number of people it is required to serve, flavour combinations and design elements. Please treat the following prices as a guide to get you started. The prices indicated in the following pages are based on single flavoured cakes filled and covered in a single flavour of buttercream.

Available Cake Sizes

1. Single Tier 2. Two Tier 3. Three Tier



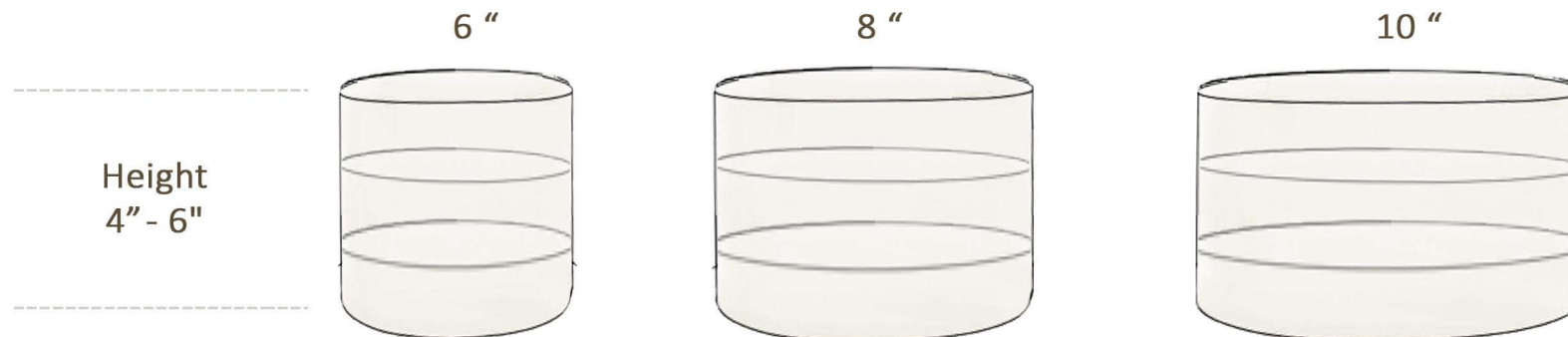


Round Cakes

From \$225 (excl. GST)

A Little Party

A serve is made up of three layers of cake.

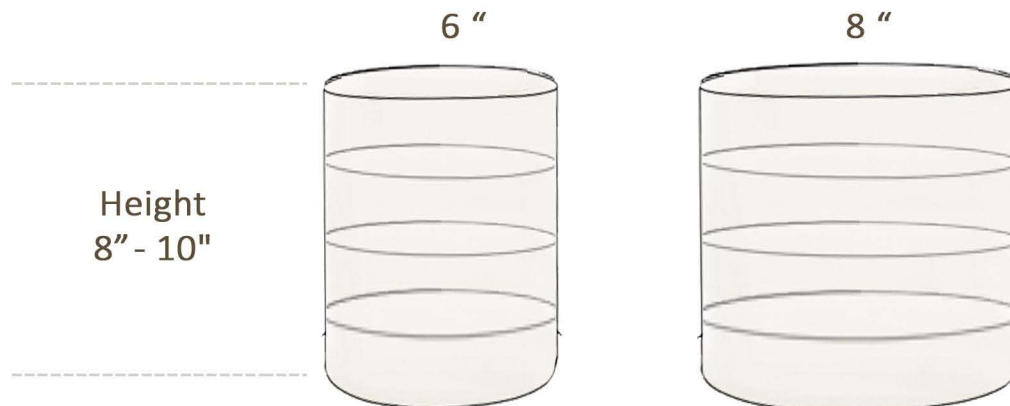


A Big Celebration - Double-Barrel Cake

These cakes have four (or more) layers each 1.5"-2" tall.

A double barrel cake can reach about 8 to 10 inches in height.

A serve is made up of two layers of cake; when cutting, simply halve each slice across the middle.





Round Cakes - Two Tier

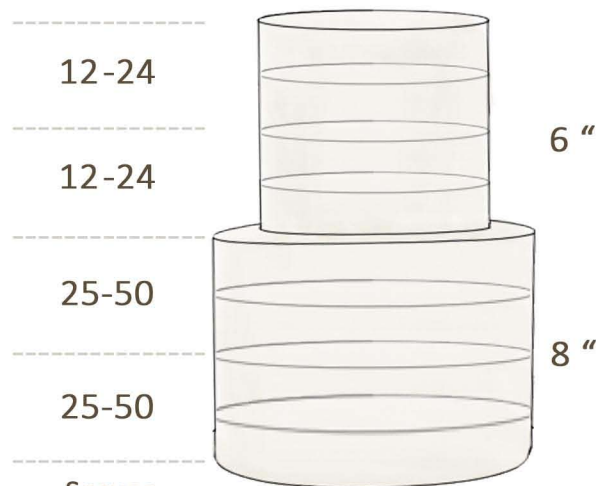
These cakes can be made to be short or tall in appearance.
The number of layers included in each tier will impact the servings produced.
The size of each tier can be changed to suit the needs of your event.

From \$350 (excl. GST)



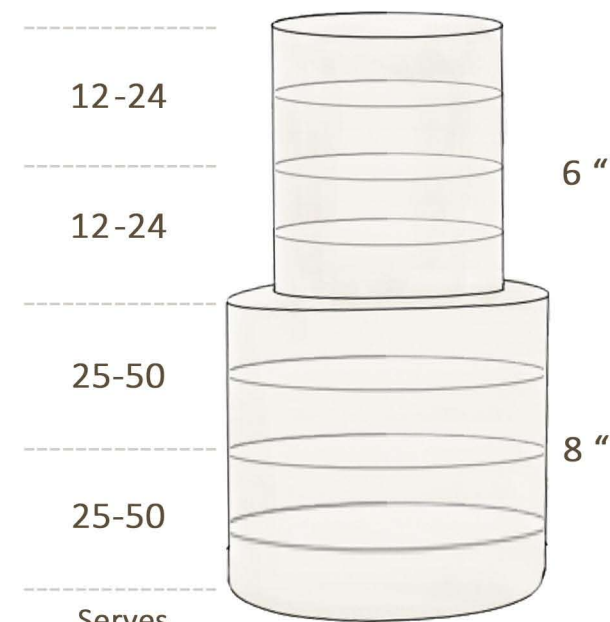
Serves
Total: 37-74

Petite



Serves
Total: 74-148

Medium



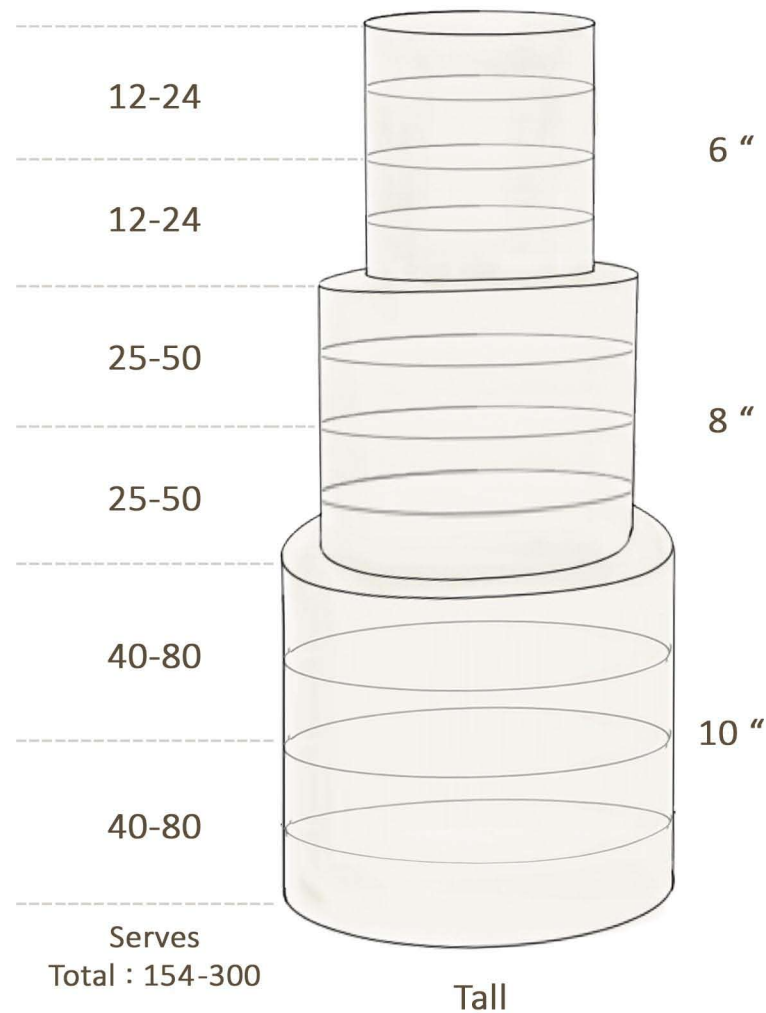
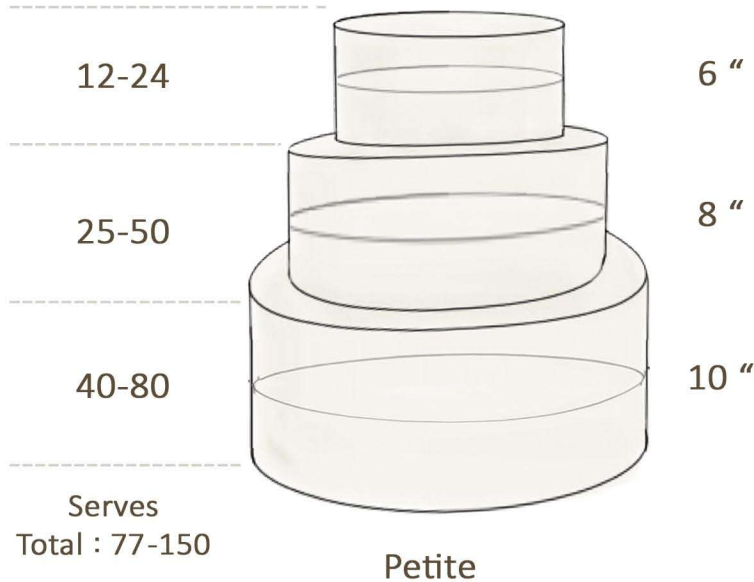
Serves
Total: 74-148

Tall

Round Cakes - Three Tier

These cakes can be made to be short or tall in appearance.
The number of layers included in each tier will impact the servings produced.
The size of each tier can be changed to suit the needs of your event.

From \$ 500 (excl. GST)











www.ohthatbegood.com

Custom designed for Oh That Be Good by XOXO